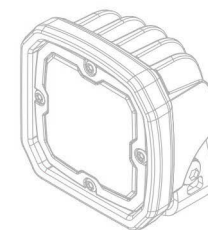
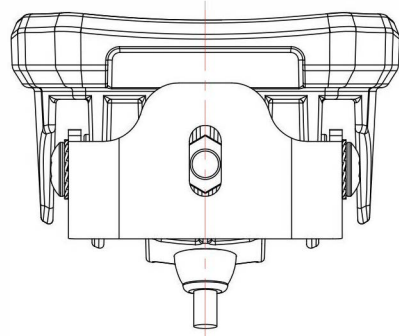
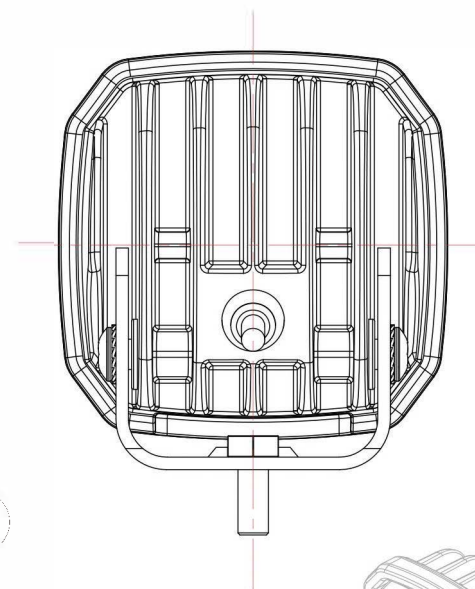
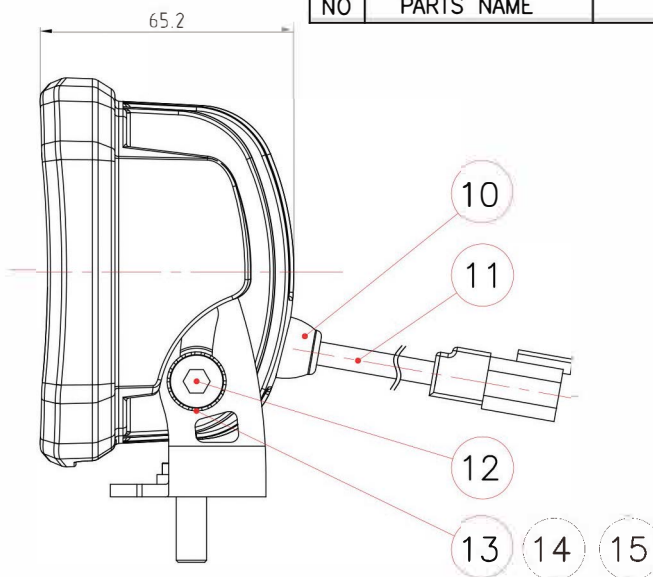
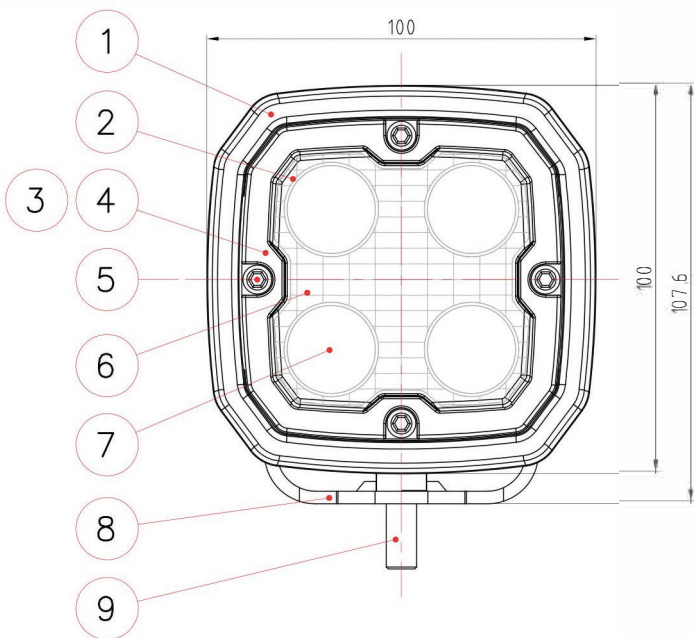


[SPECIFICATION]

1. OPERATING VOLTAGE : DC 11V ~ 65V
2. WATTAGE : 3W
3. LED : 12W (XPG-CREE)
4. WEIGHT : 720 (g)
5. VIBRATION : - (Grms)
6. WEATHER PROOF & DUST RESISTANCE
7. TEMPERATURE : -40 °C ~ 85°C
8. LIFE : 50,000 (Hr)
9. IP RATING : IP68

15	SIDE-BUSHING	EPDM	2	
14	WASHER	M8 (1T/SUS)	2	
13	WASHER	M8	2	
12	BOLT	PH-M8X15 (ALLEN/SUS#304/NYLOK)	2	
11	WIRE-ASSY	18AWG/DEUTSCH_2P(RECEPTACLE:DT04-2P-E004/WEDGE:W2P)	1	
10	BUSHING	EPDM (60)	1	
9	BOLT	SUS/M8X30	1	
8	TRUNNION-BRKT	PO/3.2T/(POWDER-COATING)	1	
7	LENS(+HOLDER)	40/60(deg)	4	
6	PC-COVER	PC (CLEAR)	1	
5	BOLT	PH-M4X12 (ALLEN/SUS#304/NYLOK)	4	
4	TOP-COVER	ALDC12 (POWDER-COATING)	1	
3	O-RING	SILICONE (40)	1	
2	COVER-SHEET	SILICONE / WHT (1.0T)	1	
1	BODY	ALDC12 (POWDER-COATING)	1	
NO	PARTS NAME	SPEC (FINISHING)	Q'TY	REMARK



ISO-VIEW



REV.01

UNIT	mm	DRAWING	CHECK	APPROVAL	TITLE	
TOL.	±0.2	S.G.PARK				
SCALE	1:1					
DATE	2013.04.25					
HiViz LED Lighting / FIRETECH					DRAWING NO.	FT-WL2000 [EXTERNAL VIEW] VX-BD-0000-0