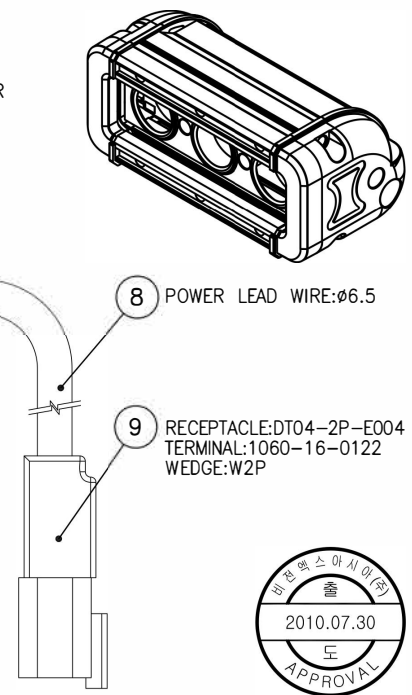
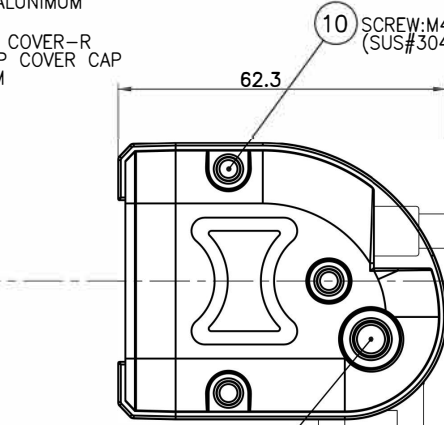
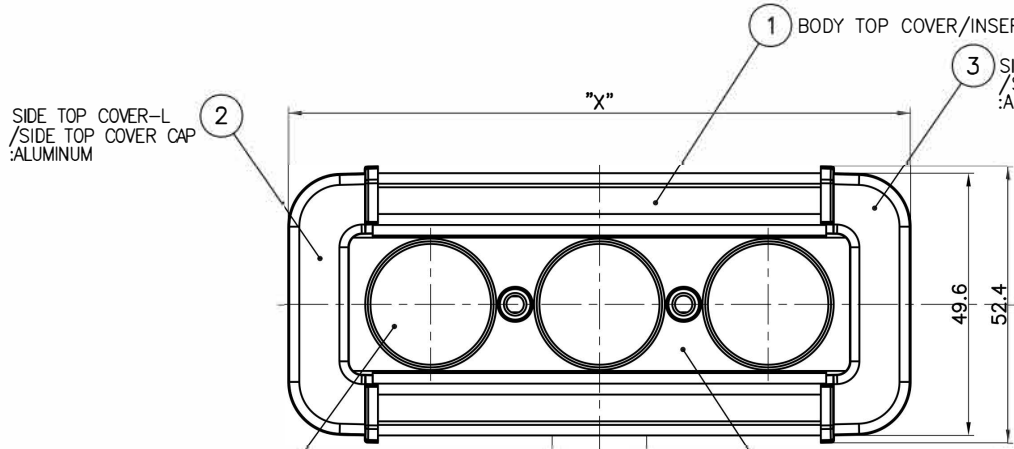


DATE	SIGN	REVISION	REMARKS



SIDE TOP COVER-L
/SIDE TOP COVER CAP
:ALUMINUM

LENS COVER:PC

1 BODY TOP COVER/INSERT BAR:ALUMINUM

3 SIDE TOP COVER-R
/SIDE TOP COVER CAP
:ALUMINUM

10 SCREW:M4x13 WASHER
(SUS#304)

5 REFLECTOR:PC(CR PLATING)
PC COVER:PC CLEAR

BOLT:M6x20 (SUS#304)

PACKING:SILICON BLACK
BRACKET:ALUMINUM

8 POWER LEAD WIRE:ø6.5

9 RECEPTACLE:DT04-2P-E004
TERMINAL:1060-16-0122
WEDGE:W2P

6 BOLT: M6x60 (SUS#304)

7 NUT: M6 (SUS#304)

SIDE COVER-L
:ALUMINUM

SIDE COVER-R
:ALUMINUM



[SPECIFICATION]

- 1.OPERATING VOLTAGE : DC 10V ~ 48V
- 2.LED : 5W (CREE)
- 3.LENS : LL01CR-EXXXL-M2(10°,25°,40°,60°)
- 4.VIBRATION : 15.6 (Grms)
- 5.WATER PROOF & DUST RESISTANCE
- 6.TEMPERATURE : -40 °C ~ 80°C
- 7.LIFE : 50,000 (Hr)
- 8.IP RATING : IP68

NO.	LED Q'TY	"X" (inch/mm)	WEIGHTS (Kg)	WATTAGE (W)	LUMEN (LM)	AMPERAGE (A)	REMARKS
1	3LED	4.65" (118)		15	1,584	1.25	FT-MB3
2	6LED	8.43" (214)		30	3,168	2.5	FT-MB6
3	9LED	12.21" (310)		45	4,752	3.75	FT-MB9
4	12LED	15.99" (406)		60	6,336	5	FT-MB12
5	15LED	19.77" (502)		75	7,920	6.25	FT-MB15
6	18LED	23.55" (598)		90	9,504	7.5	FT-MB18
7	21LED	27.33" (694)		105	11,088	8.75	FT-MB21
8	24LED	31.11" (790)		120	12,672	10	FT-MB24
9	27LED	34.89" (886)		135	14,256	11.25	FT-MB27
10	30LED	38.67" (982)		150	15,840	12.5	FT-MB30
11	33LED	42.44" (1,078)		165	17,424	13.75	FT-MB33
12	39LED	50.00" (1,270)		195	20,592	16.25	FT-MB39

UNIT	mm	DRAWING	CHECK	APPROVAL	TITLE
TOL.	-	C.D.KIM			
SCALE	1:1				
DATE	2010.07.29	2010.07.30			
FIRETECH		HiViz LED Lighting / FIRETECH			DRAWING NO.

MiniBrow Series
EXTERNAL VIEW

VX-BD-0000-0

