

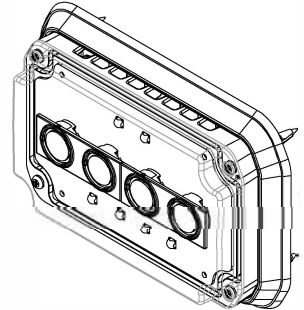
AO(420x297)

VXQF 405-4(Rev.1)

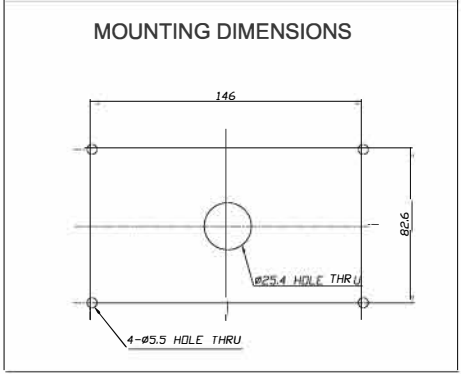
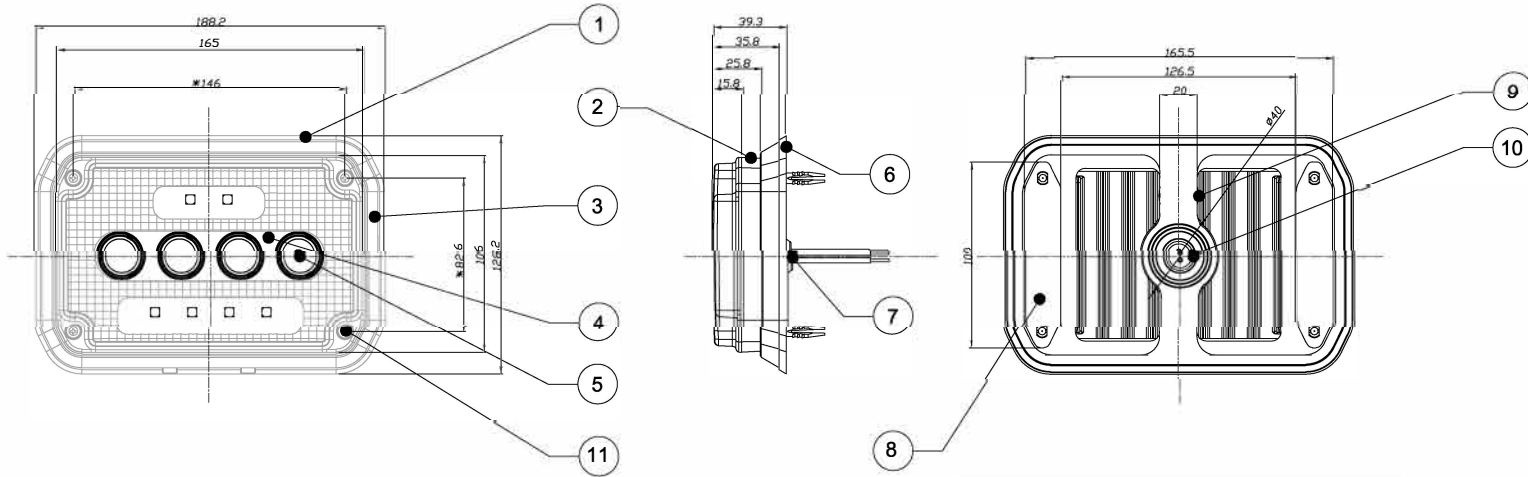
FILE NAME | P1807(GUARDIAN JUNIOR)_S_35W_R01_180403

[SPECIFICATION]

- 1.OPERATING VOLTAGE : DC 9V ~ 32V
- 2.WATTAGE : 35W
- 3.LED : XPG3 (CREE)
- 4.LUMINOUS FLUX : 3,073 (lm) @ 24 Vdc
- 5.WEIGHT : 0.73(kg)
- 6.WEATHER PROOF & DUST RESISTANCE
- 7.TEMPERATURE : -40 °C ~ 85°C
- 8.LIFE : 50,000 (Hr)
- 9.IP RATING : IP68/69K



NO.	PART NAME	DESCRIPTION	Q'TY
01	PC COVER	PC(CLEAR)	1
02	BODY	ALDC12(ELECTROCOATING/BLACK POWDER COATING)	1
03	HOUSING	ABS(CHROME COATING)	1
04	LENS HOLDER	PC(CHROME COATING)/LP 2LED	2
05	LENS	LL01ZZ-EXxxL06	4
06	HOUSING GASKET	SILICONE(BLACK)	1
07	CABLE BUSHING	SILICONE(BLACK)	1
08	WALL PLUG	NYLON(BLACK)	2
09	VENT CAP	NITTO/C2-NTF1026-L01/BLACK	1
10	CABLE	16AWG/2WIRE(WHITE, BLACK)	1
11	SCREW	4X50 PH(+)SELF-TAPPING/SUS304	4



REV.	ZONE	REVISION RECORD	
ANGLE			
UNIT	mm	SCALE	1:1
SHEET	1/1	REV	FO
Qty	1	SIZE	A0
DESIGN :	M.Y.H	DATE	18.04.03
CHECKED :	M.Y.H	DATE	18.04.03
APPROVAL :	J.S.M	DATE	18.04.03
WEIGHT :	730 g		
FINISH :	-		
MATERIAL :	-		
CODE NO. :	-		
PART NAME :	SPEC_35W		
MODEL NAME :	FT-GSMJR "Guardian Junior"		

