

# GUARDIAN® G-SERIES

FT-G14-\* & FT-G25-\*



## KEY FEATURES:

- Multi-Unit Synchronization in Simultaneous or Alternating Flash
- Super Low-Profile Thickness
- Vibration Resistant Design

## SMALL BUT MIGHTY

Thin, bright, and built to last: Grille and fender lights are a critical safety component as an ambulance approaches an intersection. The safety impact is amplified with our G14 and G25 fixtures because their beam dispersions are optimized for applications lower on the vehicle, where the fixtures are mounted close to eye-level of oncoming traffic. This is created through high-precision optics giving a narrow focus to the light in the vertical plane while displaying a wide breadth of light horizontally.

If you're building a QRV, a patrol car, or any other vehicle where space is limited, the FireTech G-Series is designed to help you help others.

The G25 is available in a dual color configuration, while the G14 is a single-color configuration. Each fixture ships with a Chrome bezel; blackout bezels are available as optional accessories.

## REPLACEMENT PARTS / ACCESSORIES



**G14 BLACKOUT BEZEL**  
P/N: P-G14-BOBEZEL

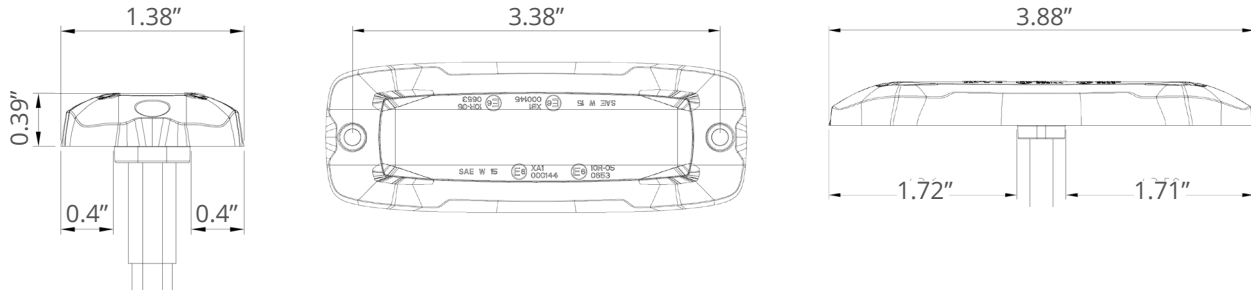
Black replacement bezel for FireTech Guardian G-Series G14 Warning Light.



**G25 BLACKOUT BEZEL**  
P/N: P-G25-BOBEZEL

Black replacement bezel for FireTech Guardian G-Series G25 Warning Light.

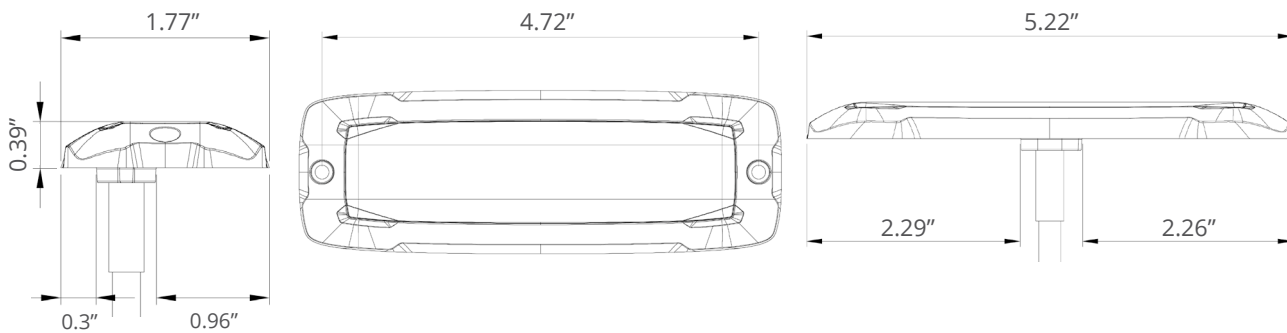
## DIMENSIONS: FT-G14



## FT-G14 DETAILS

Model / Order Number	Description	Dimensions	# of Warning Patterns	Max Watts	Max Amp Draw (@12V)	Max Amp Draw (@24V)	Voltage Range
FT-G14-RED	6 LED Red Lighthead. Chrome.	3.88" x 1.38" x .39"	16	10.6W	0.88A	0.44A	12-24V DC
FT-G14-AMBER	6 LED Amber Lighthead. Chrome.	3.88" x 1.38" x .39"	16	10.6W	0.88A	0.44A	12-24V DC
FT-G14-WHITE	6 LED White Lighthead. Chrome.	3.88" x 1.38" x .39"	16	10.6W	0.88A	0.44A	12-24V DC

## DIMENSIONS: FT-G25



## FT-G25 DETAILS

Model / Order Number	Description	Dimensions	# of Warning Patterns	Max Watts	Max Amp Draw (@12V)	Max Amp Draw (@24V)	Voltage Range
FT-G25-RED	12 LED Red Lighthead. Chrome.	5.22" x 1.77" x .39"	16	21.1W	1.76A	0.88A	12-24V DC
FT-G25-BLUE	12 LED Blue Lighthead. Chrome.	5.22" x 1.77" x .39"	16	21.1W	1.76A	0.88A	12-24V DC
FT-G25-AMBER	12 LED Amber Lighthead. Chrome.	5.22" x 1.77" x .39"	16	21.1W	1.76A	0.88A	12-24V DC
FT-G25-WHITE	12 LED White Lighthead. Chrome.	5.22" x 1.77" x .39"	16	21.1W	1.76A	0.88A	12-24V DC
FT-G25-RW	12 LED Red/White Lighthead. Chrome.	5.22" x 1.77" x .39"	26	21.1W	1.76A	0.88A	12-24V DC