

HVC GUARDIAN[®] WARNING LIGHT



KEY FEATURES

- Side Firing LEDs
- Crack-Proof Corners
- HVC System Control
- Software Updatable Design

THE HIVIZ CONNECT GUARDIAN WARNING LIGHT

The HVC Guardian Warning Lights are the perimeter workhorse of the “Smart” HVC lighting range. They communicate using the intelligent single-wire protocol with the OMEN lightbar and are designed to complement the OMEN by extending its core functions to the perimeters of the apparatus. HVC Guardian fixtures can execute ramping, dimming, and single or dual color operation based on user-selectable programming.

Physically, the HVC Guardians start with the same FireTech durability and protection from heat and moisture (the top two killers of LEDs) that you’ve relied on for years. They are the only fixtures in their class to feature a full-sized aluminum heat sink, keeping the fixture cooler and less likely to overheat. Crack-proof corners mean the lens never comes into the contact with the mounting hardware, preventing cracks and lessening the risk of moisture intrusion. As an added protection, our HiViz Connect™ Guardian Series Warning Lights are covered by our industry-leading advance exchange lifetime warranty. These lights also have the same physical footprint as our Guardian and Guardian Elite scene lights: side by side on an apparatus, they look like an intentionally matched pair.

These lights are infinitely updatable with virtually unlimited flash patterns and feature forward-facing single or dual color LEDs with chrome reflectors for high intensity light output. The side-firing LEDs are a new feature, illuminating the side of the truck to increase visibility and to project 180-degrees for off-axis viewing – making the HVC Guardian the widest-throwing surface-mounted warning light in the industry.

GUARDIAN ACCESSORIES (OPTIONAL)



GUARDIAN RETROFIT GASKET

P/N: P-GSM-RGKIT

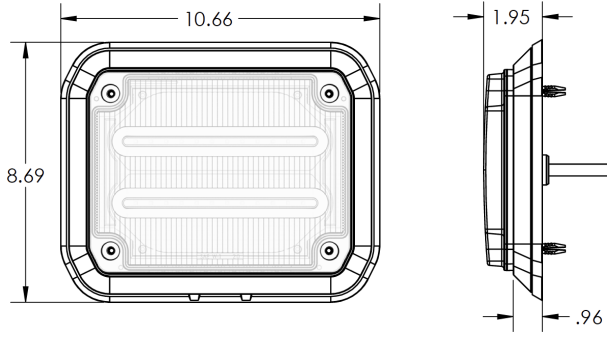
For replacing legacy fixtures which may have had a different sized cutout. Covers old or oversized holes in the apparatus body.



GUARDIAN BEZEL DELETE GASKET

P/N: P-GSM-BDKIT

Allows installation of Guardian Warning Light without chrome bezel for a reduced mounting profile.



PART#: FT-HVC-GSM-WN-**	
DIMENSIONS	10.66" x 1.95" x 8.69"
WEIGHT	4.4 LBS.
BEZEL	CHROME
MAX. WATTAGE	40W
MAX. AMPERAGE	3.1A @ 12V DC
INPUT VOLTAGE DC	11-16V DC
CERTIFICATIONS	SAE J595 CLASS 1; NFPA 1900

	Model / Order Number	Description	Voltage Range	
CHROME BEZEL PART NUMBERS & DESCRIPTIONS	FT-HVC-GSM-WN-RED	HVC Guardian Warning Light. 10.66" x 8.69". Red LEDs. 4 Inputs. HiViz Connect Enabled. Chrome Bezel.	11-16V DC	
	FT-HVC-GSM-WN-BLUE	HVC Guardian Warning Light. 10.66" x 8.69". Blue LEDs. 4 Inputs. HiViz Connect Enabled. Chrome Bezel.	11-16V DC	
	FT-HVC-GSM-WN-AMBER	HVC Guardian Warning Light. 10.66" x 8.69". Amber LEDs. 4 Inputs. HiViz Connect Enabled. Chrome Bezel.	11-16V DC	
	FT-HVC-GSM-WN-WHITE	HVC Guardian Warning Light. 10.66" x 8.69". White LEDs. 4 Inputs. HiViz Connect Enabled. Chrome Bezel.	11-16V DC	
	FT-HVC-GSM-WN-AG	HVC Guardian Warning Light. 10.66" x 8.69". Amber/Green LEDs. 4 Inputs. HiViz Connect Enabled. Chrome Bezel.	11-16V DC	
	FT-HVC-GSM-WN-AW	HVC Guardian Warning Light. 10.66" x 8.69". Amber/White LEDs. 4 Inputs. HiViz Connect Enabled. Chrome Bezel.	11-16V DC	
	FT-HVC-GSM-WN-BA	HVC Guardian Warning Light. 10.66" x 8.69". Blue/Amber LEDs. 4 Inputs. HiViz Connect Enabled. Chrome Bezel.	11-16V DC	
	FT-HVC-GSM-WN-BG	HVC Guardian Warning Light. 10.66" x 8.69". Blue/Green LEDs. 4 Inputs. HiViz Connect Enabled. Chrome Bezel.	11-16V DC	
	FT-HVC-GSM-WN-RA	HVC Guardian Warning Light. 10.66" x 8.69". Red/Amber LEDs. 4 Inputs. HiViz Connect Enabled. Chrome Bezel.	11-16V DC	
	FT-HVC-GSM-WN-RB	HVC Guardian Warning Light. 10.66" x 8.69". Red/Blue LEDs. 4 Inputs. HiViz Connect Enabled. Chrome Bezel.	11-16V DC	
	FT-HVC-GSM-WN-RG	HVC Guardian Warning Light. 10.66" x 8.69". Red/Green LEDs. 4 Inputs. HiViz Connect Enabled. Chrome Bezel.	11-16V DC	
	FT-HVC-GSM-WN-RW	HVC Guardian Warning Light. 10.66" x 8.69". Red/White LEDs. 4 Inputs. HiViz Connect Enabled. Chrome Bezel.	11-16V DC	
	FT-HVC-GSM-WN-WG	HVC Guardian Warning Light. 10.66" x 8.69". White/Green LEDs. 4 Inputs. HiViz Connect Enabled. Chrome Bezel.	11-16V DC	
	BLACK BEZEL PART NUMBERS & DESCRIPTIONS	FT-HVC-GSM-WN-RED-B	HVC Guardian Warning Light. 10.66" x 8.69". Red LEDs. 4 Inputs. HiViz Connect Enabled. Black Bezel.	11-16V DC
		FT-HVC-GSM-WN-BLUE-B	HVC Guardian Warning Light. 10.66" x 8.69". Blue LEDs. 4 Inputs. HiViz Connect Enabled. Black Bezel.	11-16V DC
		FT-HVC-GSM-WN-AMBER-B	HVC Guardian Warning Light. 10.66" x 8.69". Amber LEDs. 4 Inputs. HiViz Connect Enabled. Black Bezel.	11-16V DC
		FT-HVC-GSM-WN-WHITE-B	HVC Guardian Warning Light. 10.66" x 8.69". White LEDs. 4 Inputs. HiViz Connect Enabled. Black Bezel.	11-16V DC
FT-HVC-GSM-WN-AG-B		HVC Guardian Warning Light. 10.66" x 8.69". Amber/Green LEDs. 4 Inputs. HiViz Connect Enabled. Black Bezel.	11-16V DC	
FT-HVC-GSM-WN-AW-B		HVC Guardian Warning Light. 10.66" x 8.69". Amber/White LEDs. 4 Inputs. HiViz Connect Enabled. Black Bezel.	11-16V DC	
FT-HVC-GSM-WN-BA-B		HVC Guardian Warning Light. 10.66" x 8.69". Blue/Amber LEDs. 4 Inputs. HiViz Connect Enabled. Black Bezel.	11-16V DC	
FT-HVC-GSM-WN-BG-B		HVC Guardian Warning Light. 10.66" x 8.69". Blue/Green LEDs. 4 Inputs. HiViz Connect Enabled. Black Bezel.	11-16V DC	
FT-HVC-GSM-WN-RA-B		HVC Guardian Warning Light. 10.66" x 8.69". Red/Amber LEDs. 4 Inputs. HiViz Connect Enabled. Black Bezel.	11-16V DC	
FT-HVC-GSM-WN-RB-B		HVC Guardian Warning Light. 10.66" x 8.69". Red/Blue LEDs. 4 Inputs. HiViz Connect Enabled. Black Bezel.	11-16V DC	
FT-HVC-GSM-WN-RG-B		HVC Guardian Warning Light. 10.66" x 8.69". Red/Green LEDs. 4 Inputs. HiViz Connect Enabled. Black Bezel.	11-16V DC	
FT-HVC-GSM-WN-RW-B		HVC Guardian Warning Light. 10.66" x 8.69". Red/White LEDs. 4 Inputs. HiViz Connect Enabled. Black Bezel.	11-16V DC	
FT-HVC-GSM-WN-WG-B		HVC Guardian Warning Light. 10.66" x 8.69". White/Green LEDs. 4 Inputs. HiViz Connect Enabled. Black Bezel.	11-16V DC	

